

SSR M132-160

ROTARY SCREW AIR COMPRESSORS



The SSR range of compressors provide several benefits, including:

RELIABILITY

- Robust 46°C ambient temperature rating keeps the compressor running in hot equipment rooms and minimises nuisance shut-downs caused by fouled coolers
- High dust inlet air filter extends the life of the machine by helping to keep dirt out of the compressor
- Integral gear drive is permanently aligned and requires no adjustments during the course of normal operation

REDUCED OPERATING COSTS

- 8,000 hour Ultra Coolant™ reduces maintenance costs by extending the time required between coolant changes
- Intellisys® microprocessor controller
 - Operates the compressor at peak efficiency
 - Reduces off-load running time
 - Allows easy sequencing
 - Continuously monitors key operating parameters
 - Provides historical operating data

INCLUSIVE PACKAGING

- 400Volt/3phase/50Hz IP55 motors
- 400Volt/3phase/50Hz integrated star-delta starter
- Air-cooled aftercooler discharges air at an 8°C CTD
- Air-cooled oil cooler
- Condensate separator and drain trap
- 76 dB(A) quiet enclosure
- 1-year full package warranty¹
- 5-year warranty on the drivetrain, separator tank, and air-cooled coolers¹

OPTIONAL SCOPE OF SUPPLY

- Power Outage Restart- Automatically restarts the compressor after a power interruption
- Water-cooled coolers allow a maximum water inlet temperature of 46°C
- Electrical power supplies from 200 to 690Volts/3Phase/50 or 60Hz

¹Contact an authorised Ingersoll-Rand distributor for the details.



Ingersoll-Rand®

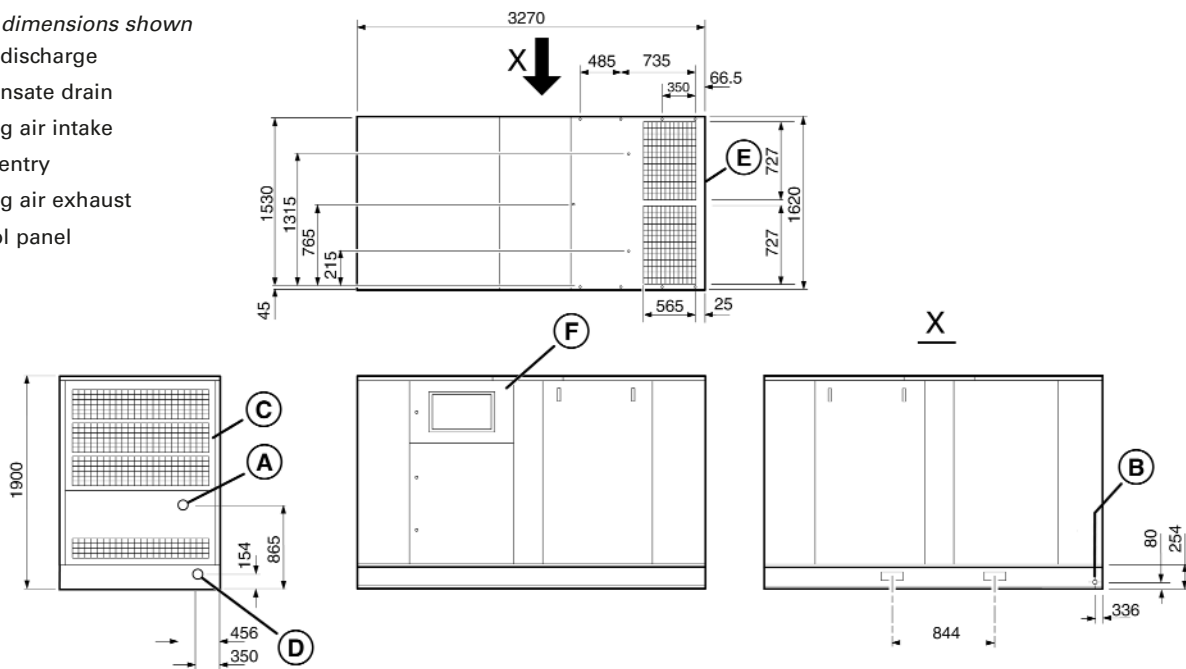
SSR M132-160

ROTARY SCREW AIR COMPRESSORS

MODEL	RATED PRESSURE		NOMINAL MOTOR POWER		CAPACITY		WEIGHT kg
	bar(g)	psi(g)	kW	hp	m ³ /min	cfm	
ML132	7.5	109	132	175	23.5	830	3075
MM132	8.5	123	132	175	22.3	788	3075
MH132	10	145	132	175	21.0	742	3075
MU132	13	189	132	175	17.5	618	3075
ML160	7.5	109	160	217	28.0	989	3075
MM160	8.5	123	160	217	26.0	918	3075
MH160	10	145	160	217	25.0	883	3075
MU160	13	189	160	217	21.0	742	3075

Aircooled dimensions shown

- A - 2" Air discharge
- B - Condensate drain
- C - Cooling air intake
- D - Cable entry
- E - Cooling air exhaust
- F - Control panel



Ingersoll-Rand compressors are not designed, intended or approved for breathing air applications. Ingersoll-Rand does not approve specialised equipment for breathing air applications and assumes no responsibility or liability for compressors used for breathing air service.

Nothing contained on these pages is intended to extend any warranty or representation, expressed or implied, regarding the product described herein. Any such warranties or other terms and conditions of sale of products shall be in accordance with Ingersoll-Rand's standard terms and conditions of sale for such products, which are available upon request.

Product improvement is a continuing goal at Ingersoll-Rand. Designs and specifications are subject to change without notice or obligation.



TS Dryer

Refrigerated Air Dryer
50HZ



The TS refrigerated air dryer offers:

Reliability and Performance

- Consistently delivers dry process air with minimal pressure drop
- 3-in-1 Heat exchanger integrates the pre-cooler and re-heater, heat exchanger and air/water separation to reduce the opportunity for leaks
- High inlet temperatures to 140°F/ 60°C will be accepted with no nuisance shutdowns
- Electrostatic-charged panel filter included on all models for increased package performance

Productivity

- Refrigeration Expansion valve offers more precise control under varying heat loads from the compressed air and varying ambient temperatures resulting in less risk of product spoilage through dewpoint slippage
- Optimised connection sizes to minimise pressure drop
- Intellisys™ microprocessor indicates component warnings and if preventative maintenance is needed

- Power Out Restart Operation (PORO) improves productivity

Energy Efficiency

- “Smart” drain recognises ambient conditions to adjust dwell time and minimise the loss of valuable compressed air
- Energy Saving Efficiency Option to cycle refrigeration compressor is standard

Health, Safety and the Environment

- Design uses environmentally friendly R404A
- Less refrigerant is needed with MicroChannel condenser design



TS Dryer

Refrigerated Air Dryers 50HZ

Model	Flow		Max Input Power (kW)	DeltaP@ 7 barg	Air In/Out	Weight		Dimensions (in/mm)					
	scfm	m ³ /min.				Lbs	Kg	L		W		H	
TS1A-50	318	9.0	2.3	0.16	1.5" BSP	456	207	33.5	850	26.6	676	55.1	1400
TS2A-50	494	14.0	2.5	0.19	2" BSP	497	226	39.0	990	31.5	800	55.1	1400
TS3A-50	558	15.8	3.4	0.23	2" BSP	505	230	39.0	990	31.5	800	55.1	1400
TS4A-50	675	19.1	4.1	0.28	2" BSP	505	230	39.0	990	31.5	800	55.1	1400
TS5A-50	826	23.4	4.5	0.15	3" BSP	944	429	57.4	1225	42.1	1070	61.7	1570
TS6A-50	985	27.9	4.8	0.25	3" BSP	944	429	57.4	1225	42.1	1070	61.7	1570
TS7A-50	1112	31.5	6.4	0.23	4" Flg	1078	490	64.7	1644	42.1	1070	65.7	1667
TS8A-50	1639	46.4	7.9	0.23	4" Flg	1110	505	64.7	1644	42.1	1070	65.7	1667
TS9A-50	1798	50.9	8.4	0.30	4" Flg	1308	595	84.6	2149	42.1	1070	65.7	1670
TS10A-50	2200	62.3	11.0	0.22	6" Flg	1628	740	82.4	2093	42.1	1070	72.3	1836
TS11A-50	2521	71.4	12.6	0.22	6" Flg	1628	740	82.4	2093	42.1	1070	70.7	1797
TS12A-50	2846	80.6	16.0	0.21	6" Flg	1729	786	82.4	2093	42.1	1070	72.3	1836

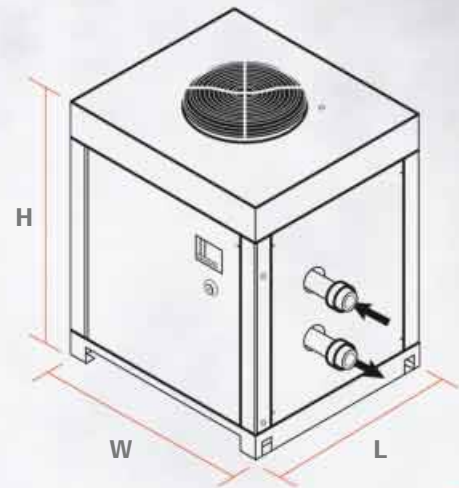
Reference conditions @ 25°C ambient, 35°C inlet, 7 barg

Dryer Capacity m³/min

Model	25°C Ambient, 35°C Inlet			46°C Ambient, 60°C Inlet		
	7 barg	8.5 barg	10 barg	7 barg	8.5 barg	10 barg
TS1A-50	9.0	9.4	9.6	3.5	3.8	4.0
TS2A-50	14.0	14.5	14.9	3.8	4.1	4.3
TS3A-50	15.8	16.4	16.9	5.1	5.5	5.8
TS4A-50	19.1	19.8	20.4	6.9	7.3	7.8
TS5A-50	23.4	24.3	25.0	6.9	7.4	7.9
TS6A-50	27.9	29.0	29.8	9.3	9.9	10.5
TS7A-50	31.5	32.7	33.6	9.5	10.2	10.5
TS8A-50	46.4	48.2	49.6	12.7	13.7	14.4
TS9A-50	50.9	52.8	54.4	12.6	13.5	14.4
TS10A-50	62.3	64.6	66.5	20.4	21.9	23.1
TS11A-50	71.4	74.1	76.3	23.0	24.7	26.1
TS12A-50	80.6	83.6	86.0	25.6	27.5	29.0

Operating Limitations

Maximum Pressure	10 barg
Maximum Inlet Temp	60°C
Maximum Ambient	46°C
Minimum Ambient	2°C



Electrical Supply

TS 1A-50	230v-1ph-50hz
TS 2A-50	230v-1ph-50hz or 400v-3ph-50hz
TS3A-50 to TS12A-50	400v-3ph-50hz



Air Solutions

Ingersoll Rand European Sales Limited
Swan Lane, Hindley Green, Wigan WN2 4EZ, UK
Tel: +44 (0) 1942 257171
Fax: +44 (0) 1942 254162

Ingersoll Rand compressors are not designed, intended or approved for breathing air applications. Ingersoll Rand does not approve specialised equipment for breathing air applications and assumes no responsibility or liability for compressors used for breathing air service.

Nothing contained on these pages is intended to extend any warranty or representation, expressed or implied, regarding the product described herein. Any such warranties or other terms and conditions of sale of products shall be in accordance with Ingersoll Rand's standard terms and conditions of sale for such products, which are available upon request.

Product improvement is a continuing goal at Ingersoll Rand. Designs and specifications are subject to change without notice or obligation.